

mySpaTM

by Sapphire Spas



pre delivery guide

Sapphire Spas
thanks you
for supporting
Australian made
products and
wishes you the
best in your spa
experience.



Sapphire Spas You Tube Channel

--> mySpa@Home PLAYLIST

--> mySpaDelivery

'download a qr code reader for your mobile device to access via this code'



helping you prepare

Please take the time to read these instructions thoroughly as they will provide you with information to ensure the safe and timely delivery and installation of your new spa pool or swim spa.

The information to follow should be used as a guideline on how to prepare for delivery and set up of your spa. We have specifically detailed requirements for site selection, delivery access, ground preparation and electrical requirements.

Please carefully review the Owner's Manual that you will receive with your new spa and register your spa's warranty within 10days of delivery to guarantee ongoing assistance and support. This manual should be found in your spa when delivered.

Sapphire Spas reserves the right to change features, specifications and design without notification and without incurring any obligation.

Prior to purchasing your Sapphire SpaPool or SwimSpa you should consider the below requirements:

- having at least 1/2 metre clearance around all sides of your spa is the ideal access distance.
- should you wish to surround your spa with decking, we suggest that you install it on a concrete slab then build the deck to surround your spa.
- a reinforced concrete slab of at least 100mm (4") thick is a suitable foundation for your spa; this must be increased to a minimum of 125mm (5") thick when installing swim spas. You must ensure this base is an even, level surface free from cracks or hollows. It's preferable for the slab to extend at least 200mm outside the spa dimensions for stability.

And the possible restrictions which may apply to your selected delivery route:

- the width of all doorways, gates and pathways
- the height of low trees, roof eaves, guttering or telephone lines
- tight bends to be negotiated, ex. 90 degree turn (take measurements)
- obstruction from protruding fixed objects, ex. meter boxes, a/c units, hot water services, water/gas meters
- you may have to cut or tie back shrubs or trees, move dog kennels, bbq's, planter boxes or wood piles
- severe slopes along the route which may cause trouble

**IF YOU ARE UNSURE OF ANY ASPECT OF THE SITE PREPARATION
PLEASE CONSULT YOUR DEALER OR CALL 03 5941 4511**

regulations

You are legally responsible for any council permits or building surveyor inspections required for the delivery, fencing and installation of your spa pool or swim spa.

safety considerations

- your spa cannot be positioned within three (3) metres of overhead power lines or existing power outlets.
- a qualified electrician must be consulted to complete all electrical requirements necessary for your new spa pool.
- temporary and permanent fencing must be erected in compliance with council regulations.
- Sapphire Spas will not be held responsible for any issues arising from these safety requirements.

electrical requirements

- the electrical connection to your Sapphire portable spa pool is your responsibility.
- you must ensure that all regulations and codes are adhered to. The connection must be completed by a qualified electrician who must supply an Electrical Safety Certificate.
- a copy of the Electrical Safety Certificate may be requested by your dealer or the manufacturer if requesting a warranty claim.
- it is recommended that a separate circuit be dedicated to your spa pool with sizing and amperage dependant on the type of spa pool and the equipment used.
- all other regulations must be adhered to and Sapphire Spas will not be held responsible for any actions taken by yourself or any technicians that may void warranties or violate local authorities' regulations and laws.

DAMAGE TO YOUR SPA DUE TO INCORRECT ELECTRICAL REQUIREMENTS WILL NOT BE COVERED BY YOUR SAPPHIRE SPAS WARRANTY.



site preparation

Once you have selected a site for your new spa, you'll need to prepare a solid, level and supportive base which will remain stable for the life of your spa. A typical spa in use poses a considerable weight for any foundation to support. Even our smaller spas can weigh up to 2000kg when filled with water and occupants, some of our larger models can reach 3000kg and our swim spa up to 7000kg.

Refer to this table for dimensions and approximate filled weights of Sapphire Spas models.

Remember, weight of occupants must also be considered in addition to these figures.

Do not put your spa on any soft surface such as grass, sand, pebble or dirt as this may place undue stress on your spa, causing it to distort and/or crack.

Damage caused by an inadequate foundation will void the warranty on your spa. It is the owner's responsibility to ensure correct installation of the spa.

Whether choosing a concrete slab or timber decking to support your spa pool, Sapphire Spas strongly recommend the use of a licensed contractor.

concrete slab

A reinforced concrete slab of at least 100mm (4") thick is a suitable foundation for your spa; this must be increased to a minimum of 125mm (5") thick when installing swim spas. You must ensure this base is an even, level surface free from cracks or hollows. It's preferable for the slab to extend at least 200mm outside the spa dimensions for stability.

timber decking

Sapphire Spas recommend that you consult a structural engineer to ensure that your decking is capable of safely and adequately supporting the full weight of your spa when in use. Should you wish to surround your spa with decking, we suggest that you install it on a concrete slab (as above) then build the deck to surround your spa.

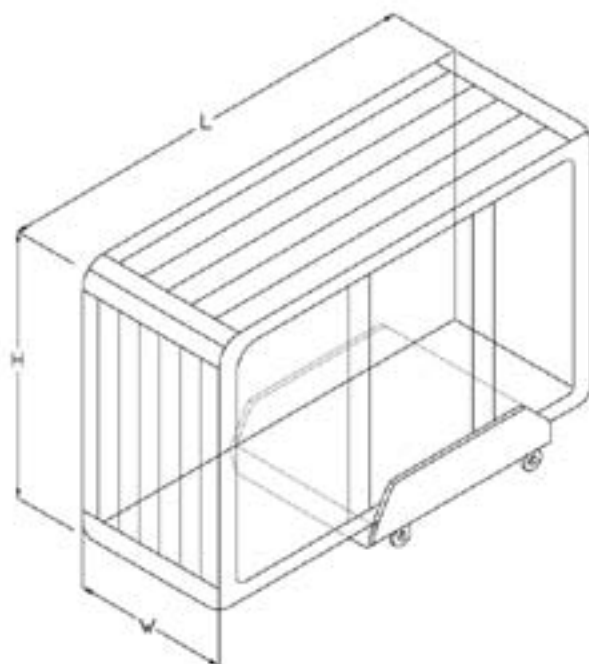
SAPPHIRE SPAS WILL TAKE NO RESPONSIBILITY FOR THE INSTALLATION OF YOUR SPA

Model	Length	Width	Height	Filled Weight
myPartner	2000mm	1600mm	850mm	1050kg
myBudget	1950mm	1950mm	930mm	1250kg
myFavourite	1990mm	1990mm	765mm	1450kg
myFamily	1985mm	1985mm	890mm	1550kg
myTemptation	1990mm	1990mm	850mm	1450kg
myDream	2100mm	2100mm	880mm	1450kg
myHome	2150mm	2150mm	930mm	1550kg
myTimeout	2260mm	1990mm	915mm	1700kg
myRecovery	2300mm	2300mm	880mm	1900kg
myLounger	2320mm	2320mm	930mm	1950kg
myFriends	2265mm	2265mm	850mm	1850kg
myCelebration	2265mm	2265mm	830mm	1750kg
myRelaxation	2320mm	2320mm	930mm	1800kg
myExtravagance	2310mm	2310mm	840mm	1900kg
myParadise	2600mm	2300mm	880mm	2000kg
myParty	2750mm	2265mm	900mm	2000kg
myPersonalTrainer	4450mm	2290mm	1310mm	7400kg
myLapSwim	4450mm	2290mm	1420mm	6850kg
mySwimGym	3960mm	2290mm	1335mm	5700kg
myTeam	3475mm	2285mm	1100mm	3800kg
myHoliday	6000mm	2290mm	1390mm	8700kg

delivery preparation

Prior to the arrival of your new SpaPool or SwimSpa, please ensure clear access is available from the delivery vehicle (crane, truck, ute etc) to the selected location for your spa. Consult your dealer for details of space required to manoeuvre and park. The driver will make every effort to get as close to the site as possible to unload your spa. You will need to be on hand for the delivery and ensure you provide enough manpower to manoeuvre the spa onto site. Consult your dealer in relation to assistance such as trolleys.

Check the dimensions of your spa in the table on the previous page. Your spa may be tilted onto its side to fit through a smaller pathway, but you need to then allow for the increased height of the spa and any trolley being used.



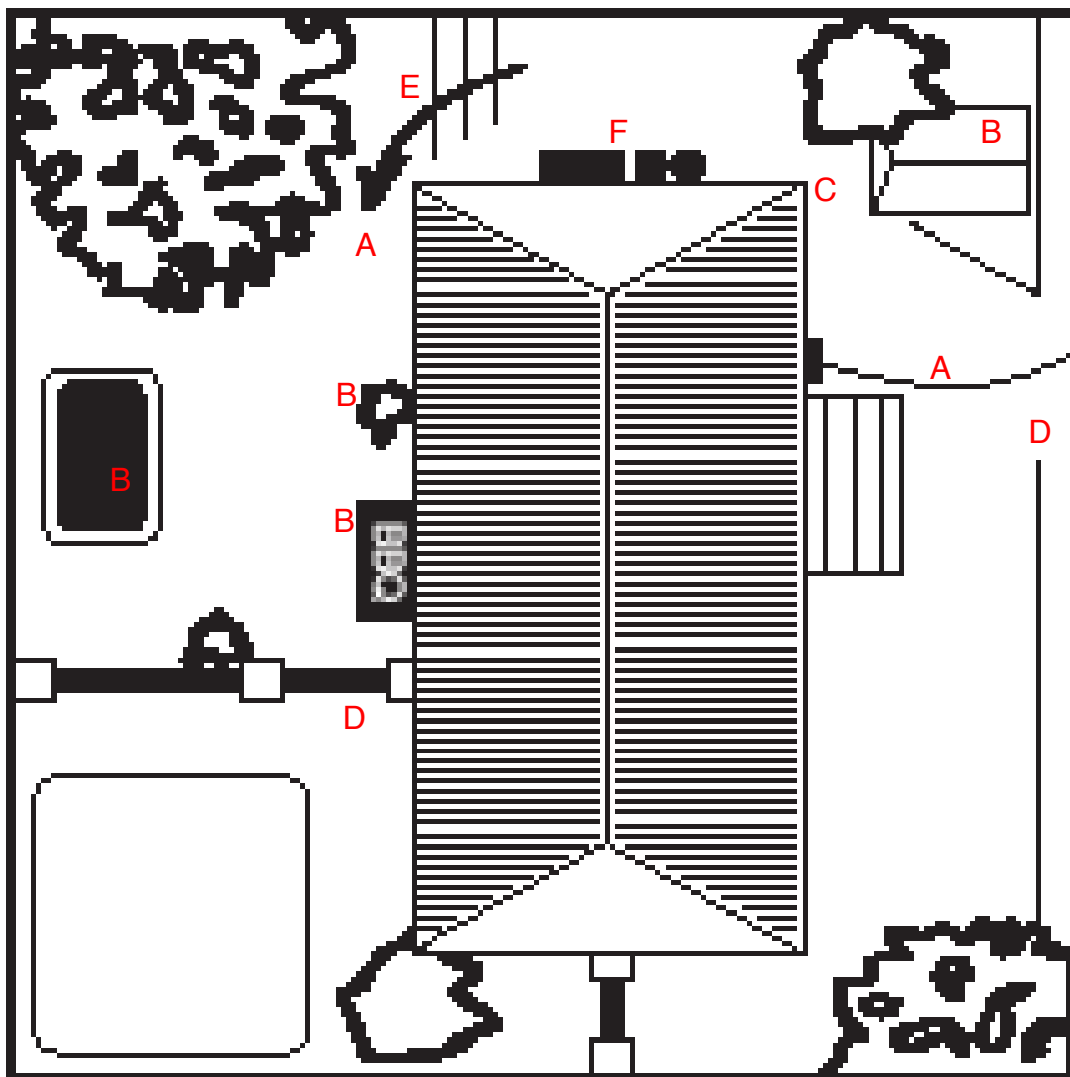
More difficult sites

Please consult your Sapphire Spas dealer to discuss further measures should you not meet the recommended requirements. A crane is sometimes necessary but is not included in a standard delivery price.

delivery route restrictions

Please consider these possible restrictions which may apply to your selected delivery route:

- the width of all doorways, gates and pathways
- the height of low trees, roof eaves, guttering or telephone lines
- tight bends to be negotiated, ex. 90 degree turn (take measurements)
- obstruction from protruding fixed objects, ex. meter boxes, a/c units, hot water services etc
- you may have to cut or tie back shrubs or trees, move dog kennels, bbq's, planter boxes or wood piles
- severe slopes along the route which may cause trouble



- A.** check height of low trees, roof eaves, guttering, phone lines
- B.** move dog kennels, bbq's, planter boxes, kids play equipment
- C.** check corner clearances
- D.** check width of doorways, gates & pathways
- E.** advise of steep slopes & number of steps
- F.** check meter boxes, a/c units, hot water services, water/gas meters

heat&cool pump pipe location

When ordering your spa with a heat&cool pump, you will need to select the best position for the pipework to exit the spa cabinet. Keep the heat&cool pump as close as possible to the spa, but further than minimum 300mm (refer diagram opposite).



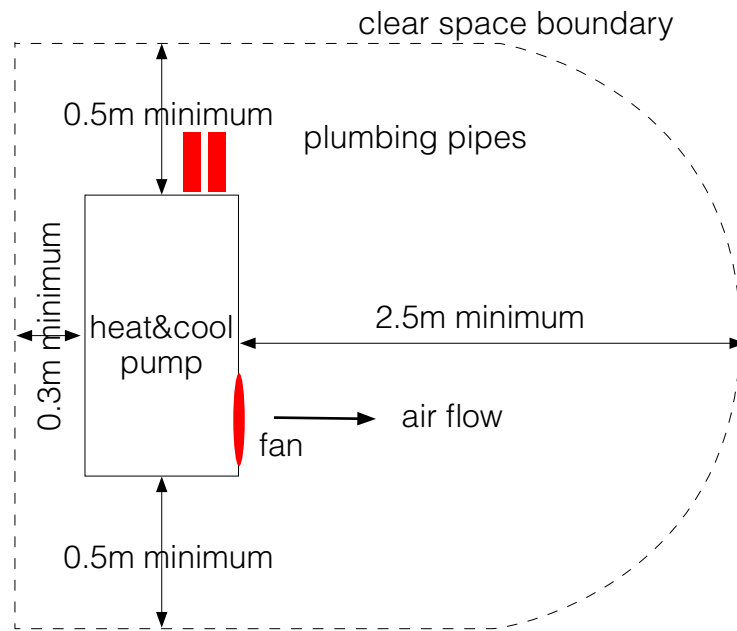
heat&cool pump location considerations

The SV series of heat&cool pumps must be located outside in a clean area where noise and air flow will not be disruptive. The heat&cool pump must be located externally to the spa pool cabinet to allow sufficient air flow for optimum efficiency.

The heat&cool pump MUST be installed according to the air space requirements shown below and the instruction manual supplied with your spa (refer inset image). FAILURE TO FOLLOW THESE INSTRUCTIONS WILL IMMEDIATELY VOID ANY WARRANTY.

Select a suitable location in accordance with below notes and consult the local swimming pool safety regulations to check the requirements for proximity to other equipment.

1. the heat&cool pump must be situated away from vegetation and obstacles as per diagram.
2. the heat&cool pmp must be installed outside, external to the spa cabinet.
3. the heat&cool pump should be mounted on anti vibration mounts on a dead flat/level base. The base should be a large concrete slab. The base must have sufficient height to prevent entry of water into the bottom of the heat pump. The base must be large and heavy enough to properly secure the heat pump.
4. height must be adjusted to fit the condensation drain pipe work under the heat&cool pump.
5. do not install the heat&cool pump in a confined space to prevent recycling of air.
6. the fan should not blow towards windows, walls or spaces likely to be inhabited by people or animals.
7. do not install where it is likely to be subjected to polluted air, dust or debris etc.
8. the heat&cool pump must operate with a clean air supply.
9. avoid direct fan output against the dominant wind directions.
10. protect the heat&cool pump from possible snow fall.
11. locate heat&cool pump in a place inaccessible by children.



air space requirements for heat&cool pump
dimensions: L955mm x W305mm x H550mm

Sapphire Spas You Tube Channel

--> mySpa@Home PLAYLIST

--> Fitting the Heat Pump

'download a qr code reader for your mobile device to access via this code'



heat&cool pump installation instructions

The heat&cool pump will be supplied with a data and power cable already fitted. They simply need to be connected to the Spanet SV spa control by referring to the SV Series Heat Pump Manual (refer inset image) supplied with your spa. Once connected, the SV controller will automatically detect the heat pump and enable its operation. Operation and use of the heat&cool pump is covered in a dedicated section of the Manual provided.



INSTALLATION & INSTRUCTION MANUAL

SN-HP-55

SN-HP-90



IMPORTANT NOTICE

BEWARE DIRECT SUNLIGHT EXPOSURE

Exposure of the acrylic shell of your spa to direct sunlight may cause excessive temperatures to build up beneath the surface and damage the spa.

Installation of spa in direct sunlight may put the acrylic surface under stress and will void the warranty.

Keep the spa covered at all times when not in use to prevent and possibility of damage and voiding warranty.

BEWARE INCORRECT CHEMICAL USE

The misuse of chemicals in any Sapphire spa will void warranty.

Please ensure your chemicals are being tested correctly as per your area's water chemistry. Your local Pool & Spa specialist will be able to assist you in a spa chemical balance plan.

Sapphire Spas do not deal directly in chemicals.

If you notice your jet faces becoming lighter in colour, jet backings becoming chalky or your headrests beginning to fade, please contact the dealer from which the spa was purchased.



Sapphire Spas thanks you for taking the time out to read our pre-delivery guide, designed to make the preparation of purchasing a Sapphire Spa easier.

Snap the qr code above to link to **mySpa@Home** You Tube playlist.

All demonstrations can be viewed on our YouTube channel **youtube.com/SapphireSpas**

If you have any queries about anything stated in this guide, please contact Sapphire Spas or your local dealer.



mySpaTM
by Sapphire Spas